

# 伺服连接器及线束 SERVO CONNECTOR

## M23 信号连接器 – 现场接线 Signal connector Field-wireable



9,12,17,16+3 针 Pole  
插孔 Female

- 直出线 Straight
- 90°

页次 page 6.1.1



9,12,17,16+3 针 Pole  
插针 Male  
法兰安装  
Flange installation

- 直出线 Straight
- 90°

页次 page 6.1.3



插针 Male  
延长式连接器 Extended type connector  
中间固定式连接器 Fixed connector

• 直出线 Straight

页次 page 6.1.7

## M23、M40 动力连接器 – 现场接线 Power connector Field-wireable



M23 圆形连接器  
Round plug connector (6,3+PE+4,3+PE+5)-pole  
插孔 Female

- 直出线 Straight
- 90°

页次 page 6.2.1



M40 圆形连接器  
Round plug connector(3+PE+2,3+PE+4)-pole  
插孔 Female

- 直出线 Straight

页次 page 6.3.1



M23 圆形连接器  
Round plug connector (6,3+PE+4,3+PE+5)-pole  
插针 Male  
法兰安装 Flange installation

- 直出线 Straight
- 90°

页次 page 6.2.2



M40 圆形连接器  
Round plug connector (3+PE+2,3+PE+4)-pole  
插针 Male  
法兰安装 Flange installation

- 直出线 Straight
- 90°

页次 page 6.3.2



M23 圆形连接器  
Round plug connector (6,3+PE+4,3+PE+5)-pole  
插针 Male  
延长式连接器 Extended type connector

- 直出线 Straight

页次 page 6.2.3



M40 圆形连接器  
Round plug connector (3+PE+2,3+PE+4)-pole  
插针 Male  
延长式连接器 Extended type connector

- 直出线 Straight

页次 page 6.3.4

## 伺服驱动连接动力电缆 Servo and power drive systems



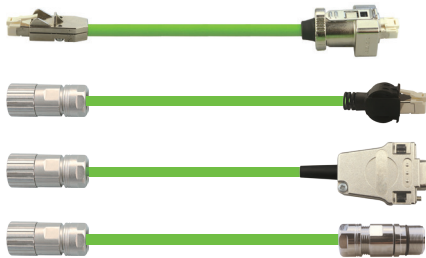
伺服标准动力电缆  
Servo cable

伺服动力电缆  
Servo power cable

伺服动力延长电缆  
Servo power extension cord

页次 page 6.4.1

## 伺服驱动连接信号电缆 Servo drive connection signal cable



Siemens 标准 系列信号控制电缆 Series of signal control cable  
DRIVE-CLiQ

施耐德标准 Schneider

伺服标准信号电缆 The servo signal cable standard  
M23 连接器 Round plug connector – D-SUB (9Pin / 15 Pin ) 180° 45° 出线

伺服信号延长电缆 Servo signal extension cable ( –M23–M23 )

页次 page 6.5.1

## V90 伺服电缆 Servo applications

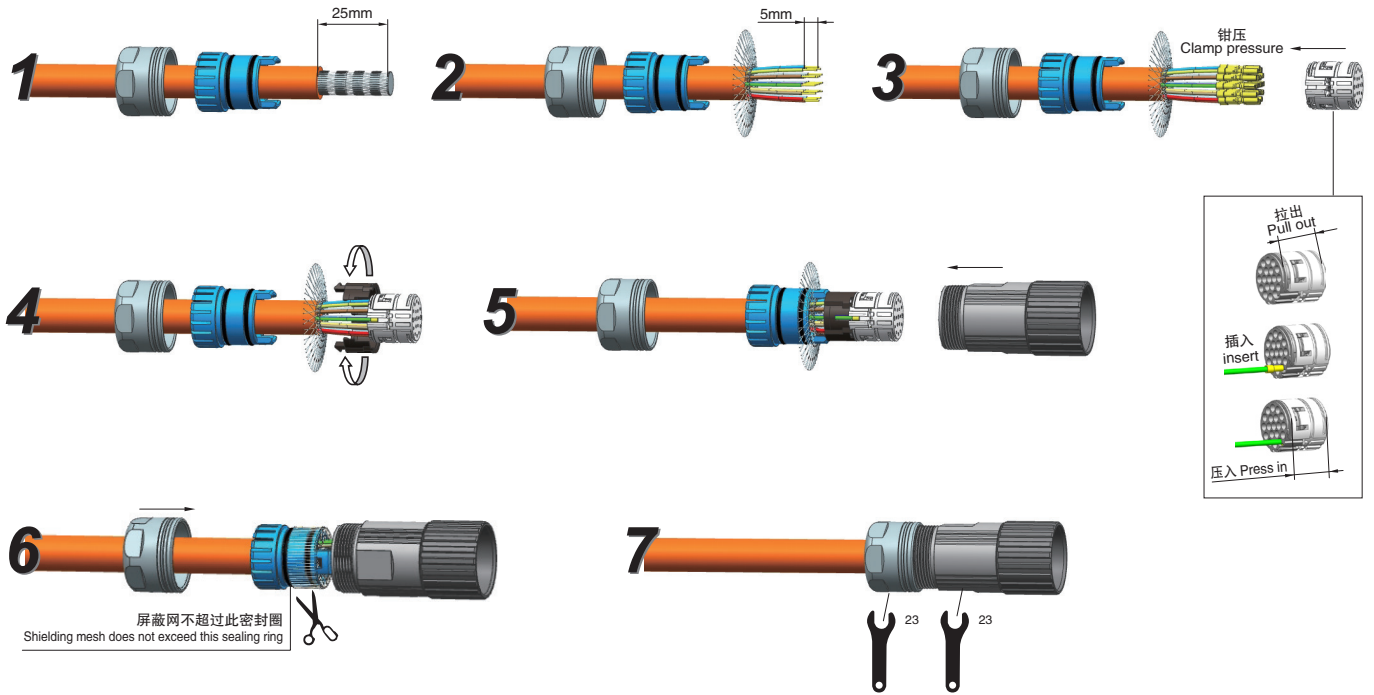


Siemens V90 6FX3002 系列电缆 Series cable

页次 page 6.6.1

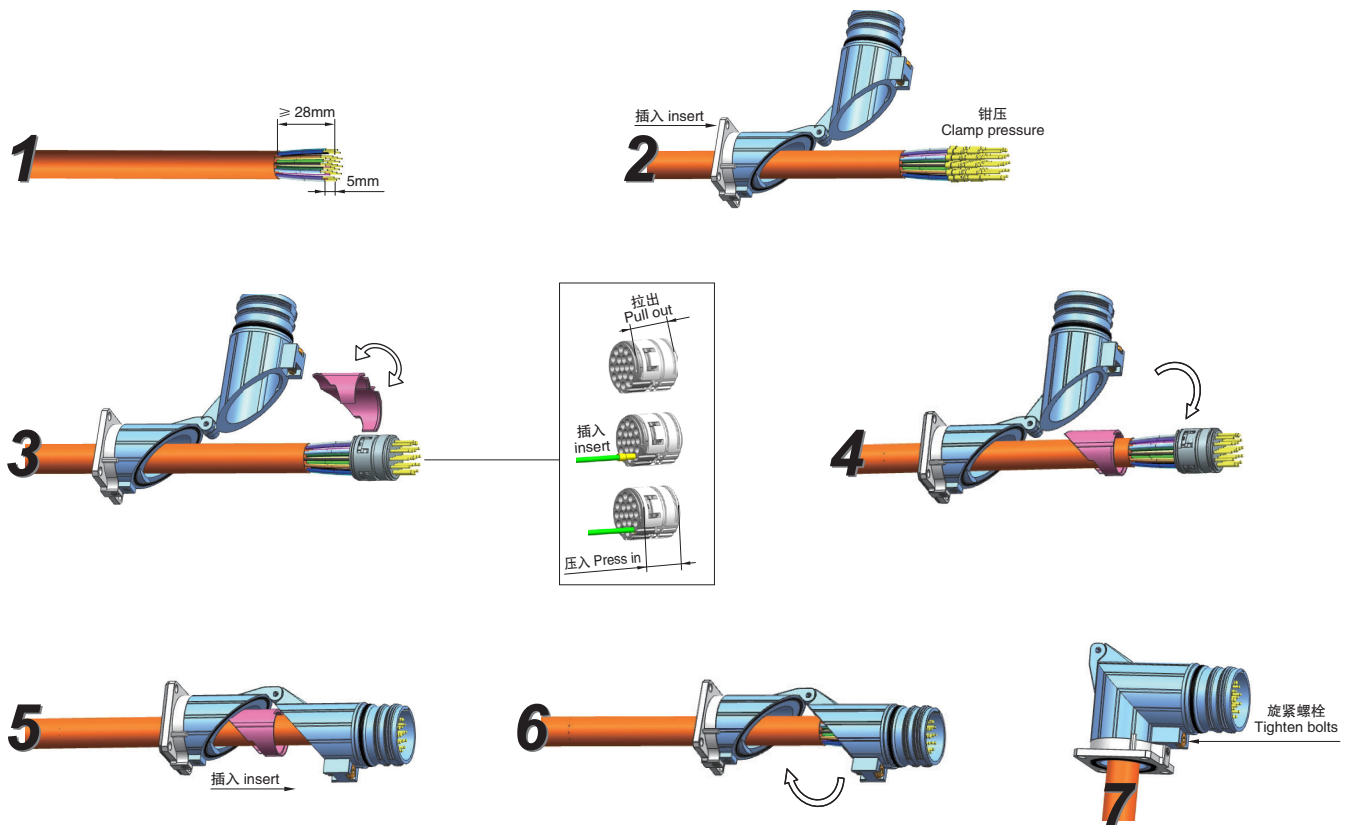
# M23 连接器 CONNECTOR

## M23 信号直型接插件安装方式 Installation Mode of Signal Direct Connector



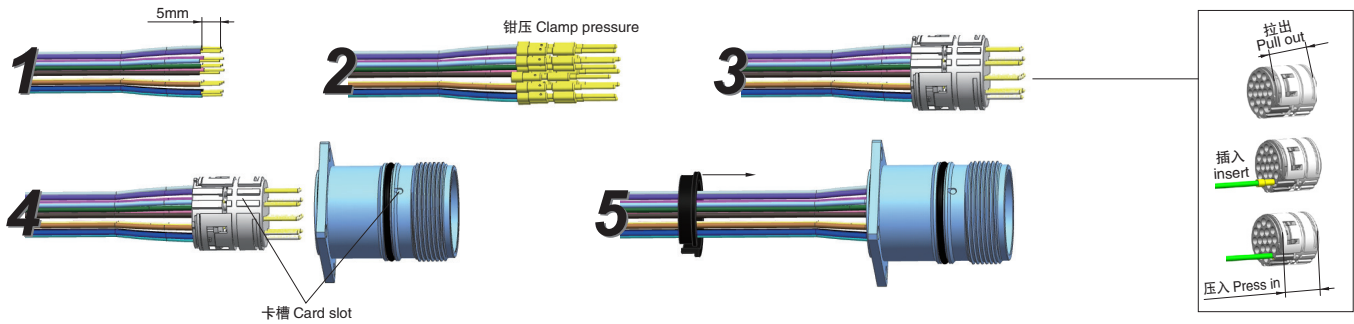
伺服连接器

## M23 信号板面弯角接插件安装方式 Installation Method of Signal Plate Bend Corner Connector

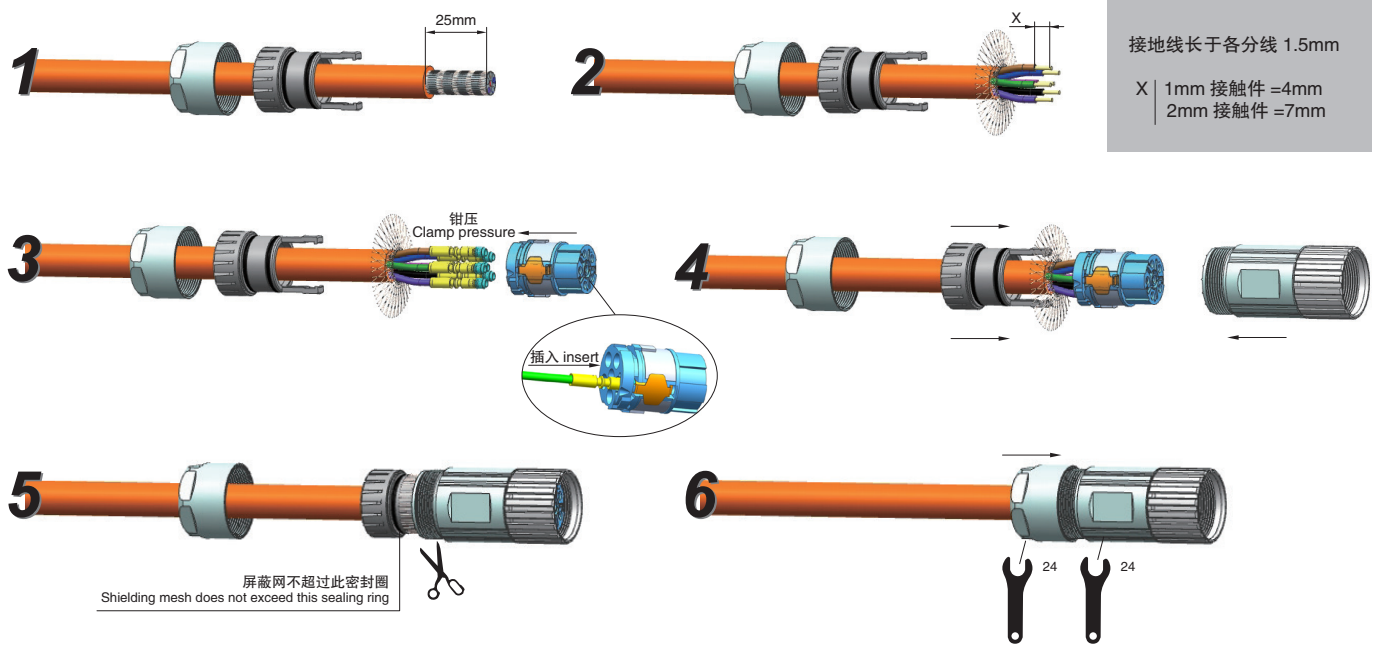


# M23 连接器 CONNECTOR

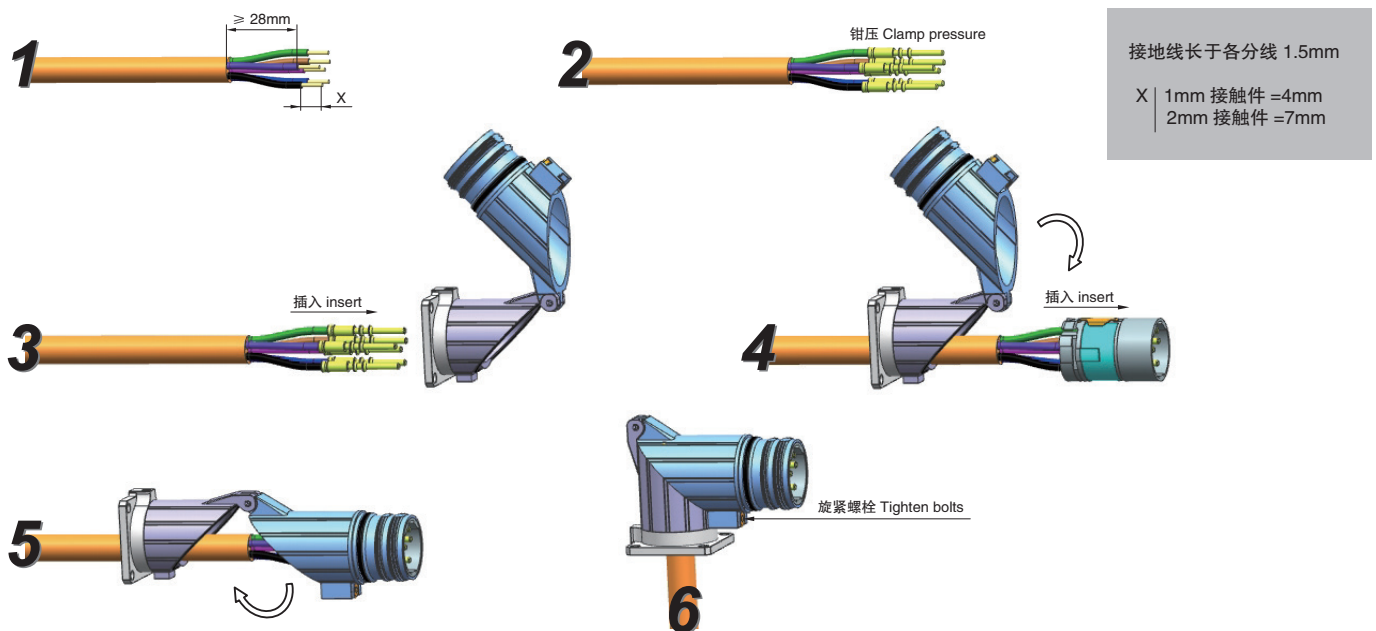
## M23 信号板面接插件安装方式 Installation Method of Signal Board Surface Connector



## M23 动力直型接插件安装方式 Installation Mode of Power Direct Connector



## M23 动力板面弯角接插件安装方式 Installation Method of Power Plate Bend Corner Connector



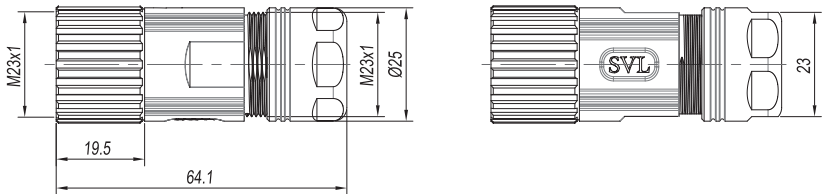
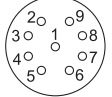
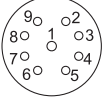
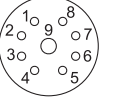
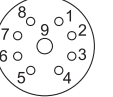
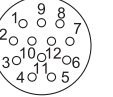
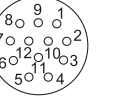


# M23 连接器 CONNECTOR

现场接线  
Field-wireable

M23 圆形连接器 Round plug connector (9,12)-pole  
插孔 直出线 Female straight



M23 信号连接器

1	型号 Form	No.	923091	923092	923093	923094	923121	923122														
	极数 Suppression		9xØ1mm 9-pole	9xØ1mm 9-pole	8x1mm+1x2mm 9-pole	8x1mm+1x2mm 9-pole	12xØ1mm 12-pole	12xØ1mm 12-pole														
	尺寸图 Description																					
	压线范围 Wire diameter	7-14mm																				
	针脚排序 Contact layout	 <p>逆时针 counterclockwise</p>	 <p>顺时针 clockwise</p>	 <p>逆时针 counterclockwise</p>	 <p>顺时针 clockwise</p>	 <p>逆时针 counterclockwise</p>	 <p>顺时针 clockwise</p>															
2	技术参数 Technical data	<table border="1"> <tr> <td>额定电压 Supply voltage</td> <td>160 V AC/DC</td> </tr> <tr> <td>额定电流 Current per contact</td> <td>10A</td> </tr> <tr> <td>防护等级 Protection</td> <td>IP67- 插孔插针配合拧紧 When plugged and screwed down</td> </tr> <tr> <td>温度范围 Temperature range</td> <td>-20...+130°C</td> </tr> <tr> <td>测试电压 (两插针之间) Test voltage</td> <td>2500V</td> </tr> <tr> <td>外壳材料 Housing material</td> <td>锌合金压铸件 黄铜, 镀镍 Zinc alloy die casting Brass, nickel plating</td> </tr> <tr> <td>绝缘内嵌体材料 Insulation embedded body material</td> <td>PA66/PBT, UL 94/V0</td> </tr> </table>							额定电压 Supply voltage	160 V AC/DC	额定电流 Current per contact	10A	防护等级 Protection	IP67- 插孔插针配合拧紧 When plugged and screwed down	温度范围 Temperature range	-20...+130°C	测试电压 (两插针之间) Test voltage	2500V	外壳材料 Housing material	锌合金压铸件 黄铜, 镀镍 Zinc alloy die casting Brass, nickel plating	绝缘内嵌体材料 Insulation embedded body material	PA66/PBT, UL 94/V0
额定电压 Supply voltage	160 V AC/DC																					
额定电流 Current per contact	10A																					
防护等级 Protection	IP67- 插孔插针配合拧紧 When plugged and screwed down																					
温度范围 Temperature range	-20...+130°C																					
测试电压 (两插针之间) Test voltage	2500V																					
外壳材料 Housing material	锌合金压铸件 黄铜, 镀镍 Zinc alloy die casting Brass, nickel plating																					
绝缘内嵌体材料 Insulation embedded body material	PA66/PBT, UL 94/V0																					
	接触件 (插孔) Contact element (female)	 <p>Ø1mm</p>  <p>Ø2mm</p>	<table border="1"> <thead> <tr> <th>类型 Type</th> <th>压线范围 Wire diameter</th> <th>订货号 Part No.</th> </tr> </thead> <tbody> <tr> <td rowspan="2">插孔 Female Ø1mm</td> <td>0.03-0.34mm<sup>2</sup></td> <td>916201</td> </tr> <tr> <td>0.14-1.00mm<sup>2</sup></td> <td>916221</td> </tr> <tr> <td rowspan="2">插孔 Female Ø2mm</td> <td>0.50-1.50mm<sup>2</sup></td> <td>916231</td> </tr> <tr> <td>0.50-1.50mm<sup>2</sup></td> <td>956221</td> </tr> </tbody> </table>						类型 Type	压线范围 Wire diameter	订货号 Part No.	插孔 Female Ø1mm	0.03-0.34mm <sup>2</sup>	916201	0.14-1.00mm <sup>2</sup>	916221	插孔 Female Ø2mm	0.50-1.50mm <sup>2</sup>	916231	0.50-1.50mm <sup>2</sup>	956221	
类型 Type	压线范围 Wire diameter	订货号 Part No.																				
插孔 Female Ø1mm	0.03-0.34mm <sup>2</sup>	916201																				
	0.14-1.00mm <sup>2</sup>	916221																				
插孔 Female Ø2mm	0.50-1.50mm <sup>2</sup>	916231																				
	0.50-1.50mm <sup>2</sup>	956221																				
	订货号 Part No.	<table border="1"> <tr> <td>可参考: 1.1.0 Reference: 1.1.0</td> <td>---</td> <td>---</td> <td>---</td> <td>---</td> <td>---</td> <td>---</td> <td>---</td> <td>---</td> </tr> </table>							可参考: 1.1.0 Reference: 1.1.0	---	---	---	---	---	---	---	---					
可参考: 1.1.0 Reference: 1.1.0	---	---	---	---	---	---	---	---														
		1 型号 Form																				
	备注 Notes	配件及技术参数页面 Accessories and technical page: 6.6.4																				

# M23 连接器 CONNECTOR

现场接线  
Field-wireable

M23 圆形连接器 Round plug connector (17,16+3)-pole  
插孔 直出线 Female straight



M23 信号连接器

1 型号 Form No.	923171	923172	923191	923192																					
极数 Suppression	17xØ1mm 17-pole	17xØ1mm 17-pole	16xØ1mm+3xØ1.5mm 19-pole	16xØ1mm+3xØ1.5mm 19-pole																					
尺寸图 Description																									
压线范围 Wire diameter	7-14mm																								
针脚排序 Contact layout	<p>插孔 Female 逆时针 counterclockwise</p>	<p>插孔 Female 顺时针 clockwise</p>	<p>插孔 Female 逆时针 counterclockwise</p>	<p>插孔 Female 顺时针 clockwise</p>																					
2 技术参数 Technical data	<table border="1"> <tr> <td>额定电压 Supply voltage</td> <td>160 V AC/DC</td> <td>125 V AC/DC</td> </tr> <tr> <td>额定电流 Current per contact</td> <td colspan="2">10A</td> </tr> <tr> <td>防护等级 Protection</td> <td colspan="2">IP67- 插孔插针配合拧紧 When plugged and screwed down</td> </tr> <tr> <td>温度范围 Temperature range</td> <td colspan="2">-20...+130°C</td> </tr> <tr> <td>测试电压 (两插针之间) Test voltage</td> <td colspan="2">2500V</td> </tr> <tr> <td>外壳材料 Housing material</td> <td colspan="2">锌合金压铸件 黄铜, 镀镍 Zinc alloy die casting Brass, nickel plating</td> </tr> <tr> <td>绝缘内嵌体材料 Insulation embedded body material</td> <td colspan="2">PA66/PBT, UL 94/V0</td> </tr> </table>				额定电压 Supply voltage	160 V AC/DC	125 V AC/DC	额定电流 Current per contact	10A		防护等级 Protection	IP67- 插孔插针配合拧紧 When plugged and screwed down		温度范围 Temperature range	-20...+130°C		测试电压 (两插针之间) Test voltage	2500V		外壳材料 Housing material	锌合金压铸件 黄铜, 镀镍 Zinc alloy die casting Brass, nickel plating		绝缘内嵌体材料 Insulation embedded body material	PA66/PBT, UL 94/V0	
额定电压 Supply voltage	160 V AC/DC	125 V AC/DC																							
额定电流 Current per contact	10A																								
防护等级 Protection	IP67- 插孔插针配合拧紧 When plugged and screwed down																								
温度范围 Temperature range	-20...+130°C																								
测试电压 (两插针之间) Test voltage	2500V																								
外壳材料 Housing material	锌合金压铸件 黄铜, 镀镍 Zinc alloy die casting Brass, nickel plating																								
绝缘内嵌体材料 Insulation embedded body material	PA66/PBT, UL 94/V0																								
接触件 (插孔) Contact element (female)	<p>Ø1mm Ø1.5mm</p>	<table border="1"> <thead> <tr> <th>类型 Type</th> <th>压线范围 Wire diameter</th> <th>订货号 Part No.</th> </tr> </thead> <tbody> <tr> <td rowspan="3">插孔 Female Ø1mm</td> <td>0.03-0.34mm<sup>2</sup></td> <td>916201</td> </tr> <tr> <td>0.14-1.00mm<sup>2</sup></td> <td>916221</td> </tr> <tr> <td>0.50-1.50mm<sup>2</sup></td> <td>916231</td> </tr> <tr> <td rowspan="2">插孔 Female Ø1.5mm</td> <td>0.24-1.00mm<sup>2</sup></td> <td>936201</td> </tr> <tr> <td>0.50-1.50mm<sup>2</sup></td> <td>936221</td> </tr> </tbody> </table>	类型 Type	压线范围 Wire diameter	订货号 Part No.	插孔 Female Ø1mm	0.03-0.34mm <sup>2</sup>	916201	0.14-1.00mm <sup>2</sup>	916221	0.50-1.50mm <sup>2</sup>	916231	插孔 Female Ø1.5mm	0.24-1.00mm <sup>2</sup>	936201	0.50-1.50mm <sup>2</sup>	936221								
类型 Type	压线范围 Wire diameter	订货号 Part No.																							
插孔 Female Ø1mm	0.03-0.34mm <sup>2</sup>	916201																							
	0.14-1.00mm <sup>2</sup>	916221																							
	0.50-1.50mm <sup>2</sup>	916231																							
插孔 Female Ø1.5mm	0.24-1.00mm <sup>2</sup>	936201																							
	0.50-1.50mm <sup>2</sup>	936221																							
订货号 Part No.																									
可参考: 1.1.0 Reference: 1.1.0	<p>-----</p>																								
	1 型号 Form																								
备注 Notes	配件及技术参数页面 Accessories and technical page: 6.6.4																								

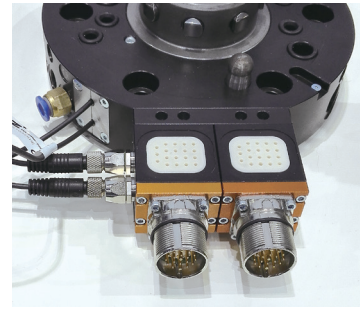




# M23 连接器 CONNECTOR

现场接线  
Field-wireable

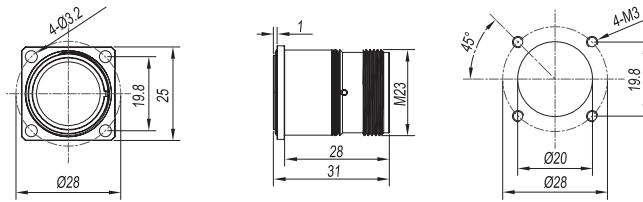
M23 圆形连接器 Round plug connector (17,16+3)-pole  
插针 Male 0° 法兰安装 Flange installation



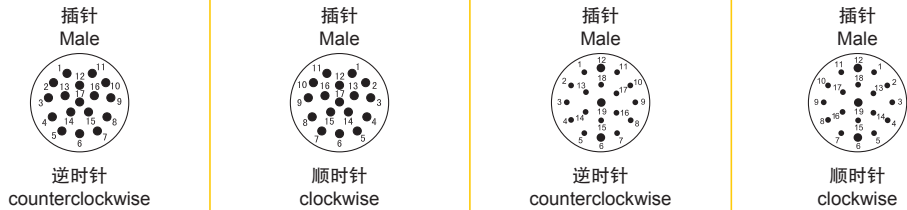
M23 信号连接器

1 型号 Form	No.	923371	923372	923391	923392
极数 Suppression		17xØ1mm 17-pole	17xØ1mm 17-pole	16xØ1mm+3xØ1.5mm 19-pole	16xØ1mm+3xØ1.5mm 19-pole

尺寸图 Description



针脚排序  
Contact layout



## 2 技术参数 Technical data

额定电压 Supply voltage	160 V AC/DC	125 V AC/DC
额定电流 Current per contact	10A	
防护等级 Protection	IP67- 插孔插针配合拧紧 When plugged and screwed down	
温度范围 Temperature range	-20...+130°C	
测试电压 (两插针之间) Test voltage	2500V	
外壳材料 Housing material	锌合金压铸件 黄铜, 镀镍 Zinc alloy die casting Brass, nickel plating	
绝缘内嵌体材料 Insulation embedded body material	PA66/PBT, UL 94/V0	

接触件 (插针)  
Contact element (male)



类型 Type	压线范围 Wire diameter	订货号 Part No.
插针 Male Ø1mm	0.03-0.34mm <sup>2</sup>	916101
	0.14-1.00mm <sup>2</sup>	916121
	0.50-1.50mm <sup>2</sup>	916131
插针 Male Ø1.5mm	0.24-1.00mm <sup>2</sup>	936101
	0.50-1.50mm <sup>2</sup>	936121

订货号 Part No.

可参考: 1.1.0  
Reference: 1.1.0

1 型号 Form

备注 Notes

配件及技术参数页面 Accessories and technical page: 6.6.4

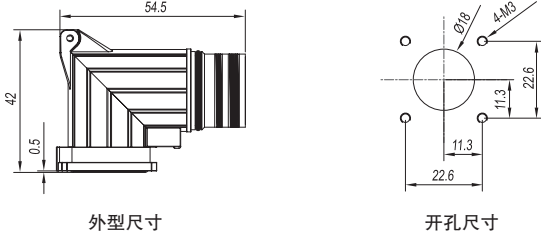
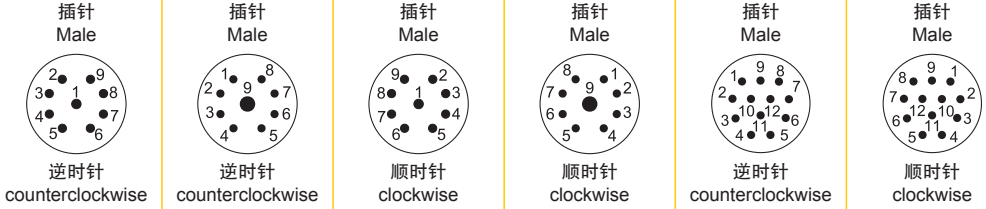
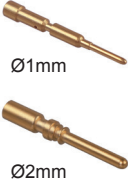
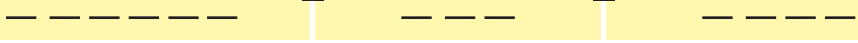
# M23 连接器 CONNECTOR

现场接线  
Field-wireable

M23 圆形连接器 Round plug connector (9,12)-pole  
插针 Male 90° 法兰安装 Flange installation



M23 信号连接器

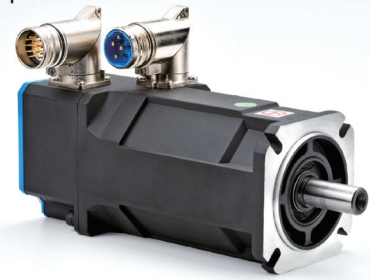
1	型号 Form	No.	923491	923495	923492	923497	923421	923422													
	极数 Suppression		9xØ1mm 9-pole	8x1mm+1x2mm 9-pole	9xØ1mm 9-pole	8x1mm+1x2mm 9-pole	12xØ1mm 12-pole	12xØ1mm 12-pole													
尺寸图 Description																					
针脚排序 Contact layout																					
2	技术参数 Technical data																				
	额定电压 Supply voltage	160 V AC/DC																			
	额定电流 Current per contact	10A																			
	防护等级 Protection	IP67- 插孔插针配合拧紧 When plugged and screwed down																			
	温度范围 Temperature range	-20...+130°C																			
	测试电压 (两插针之间) Test voltage	2500V																			
	外壳材料 Housing material	锌合金压铸件 黄铜, 镀镍 Zinc alloy die casting Brass, nickel plating																			
	绝缘内嵌体材料 Insulation embedded body material	PA66/PBT, UL 94/V0																			
	接触件 (插针) Contact element (male)	 <table border="1" data-bbox="742 1526 1348 1703"> <thead> <tr> <th>类型 Type</th> <th>压线范围 Wire diameter</th> <th>订货号 Part No.</th> </tr> </thead> <tbody> <tr> <td rowspan="3">插针 Male Ø1mm</td> <td>0.03-0.34mm<sup>2</sup></td> <td>916101</td> </tr> <tr> <td>0.14-1.00mm<sup>2</sup></td> <td>916121</td> </tr> <tr> <td>0.50-1.50mm<sup>2</sup></td> <td>916131</td> </tr> <tr> <td>插针 Male Ø2mm</td> <td>0.50-1.50mm<sup>2</sup></td> <td>956121</td> </tr> </tbody> </table>							类型 Type	压线范围 Wire diameter	订货号 Part No.	插针 Male Ø1mm	0.03-0.34mm <sup>2</sup>	916101	0.14-1.00mm <sup>2</sup>	916121	0.50-1.50mm <sup>2</sup>	916131	插针 Male Ø2mm	0.50-1.50mm <sup>2</sup>	956121
	类型 Type	压线范围 Wire diameter	订货号 Part No.																		
插针 Male Ø1mm	0.03-0.34mm <sup>2</sup>	916101																			
	0.14-1.00mm <sup>2</sup>	916121																			
	0.50-1.50mm <sup>2</sup>	916131																			
插针 Male Ø2mm	0.50-1.50mm <sup>2</sup>	956121																			
订货号 Part No.																					
可参考: 1.1.0 Reference: 1.1.0																					
	1 型号 Form																				
备注 Notes			配件及技术参数页面 Accessories and technical page: 8.6.4																		



# M23 连接器 CONNECTOR

现场接线  
Field-wireable

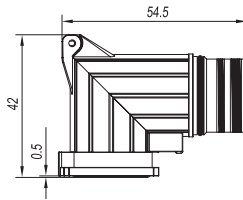
M23 圆形连接器 Round plug connector (17,16+3)-pole  
插针 Male 90° 法兰安装 Flange installation



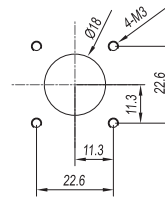
M23 信号连接器

1 型号 Form No.	923471	923472	923493	923494
极数 Suppression	17xØ1mm 17-pole	17xØ1mm 17-pole	16xØ1mm+3xØ1.5mm 19-pole	16xØ1mm+3xØ1.5mm 19-pole

尺寸图 Description

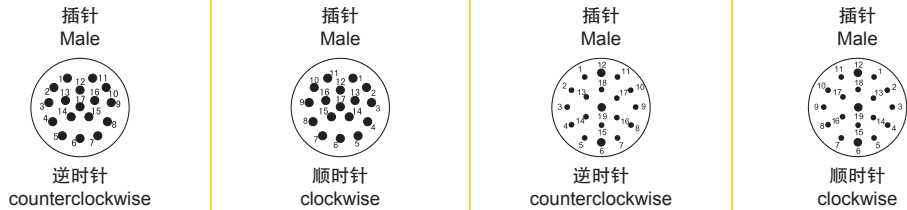


外型尺寸



开孔尺寸

针脚排序  
Contact layout



## 2 技术参数 Technical data

额定电压 Supply voltage	160 V AC/DC	125 V AC/DC
额定电流 Current per contact	10A	
防护等级 Protection	IP67- 插孔插针配合拧紧 When plugged and screwed down	
温度范围 Temperature range	-20...+130°C	
测试电压 (两插针之间) Test voltage	2500V	
外壳材料 Housing material	锌合金压铸件 黄铜, 镀镍 Zinc alloy die casting Brass, nickel plating	
绝缘内嵌材料 Insulation embedded body material	PA66/PBT, UL 94/V0	

接触件 (插针)  
Contact element (male)



类型 Type	压线范围 Wire diameter	订货号 Part No.
插针 Male Ø1mm	0.03-0.34mm <sup>2</sup>	916101
	0.14-1.00mm <sup>2</sup>	916121
	0.50-1.50mm <sup>2</sup>	916131
插针 Male Ø1.5mm	0.24-1.00mm <sup>2</sup>	936101
	0.50-1.50mm <sup>2</sup>	936121

订货号 Part No.

可参考: 1.1.0  
Reference: 1.1.0

1 型号 Form

备注 Notes

配件及技术参数页面 Accessories and technical page: 6.6.4

# M23 连接器 CONNECTOR



现场接线  
Field-wireable

M23 圆形连接器 Round plug connector (9,12)-pole  
插针 延长式连接器 Male Extended type connector



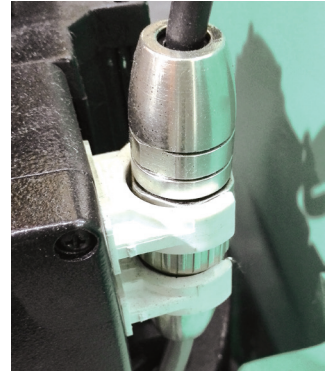
M23 信号连接器

1	型号 Form	No.	923591	923595	923592	923597	923521	923522															
	极数 Suppression		9xØ1mm 9-pole	8x1mm+1x2mm 9-pole	9xØ1mm 9-pole	8x1mm+1x2mm 9-pole	12xØ1mm 12-pole	12xØ1mm 12-pole															
	尺寸图 Description																						
	压线范围 Wire diameter	7-14mm																					
	引脚排序 Contact layout	插针 Male	插针 Male	插针 Male	插针 Male	插针 Male	插针 Male	插针 Male															
		<p>逆时针 counterclockwise</p>	<p>逆时针 counterclockwise</p>	<p>顺时针 clockwise</p>	<p>顺时针 clockwise</p>	<p>逆时针 counterclockwise</p>	<p>顺时针 clockwise</p>																
2	技术参数 Technical data																						
	额定电压 Supply voltage	160 V AC/DC																					
	额定电流 Current per contact	10A																					
	防护等级 Protection	IP67- 插孔插针配合拧紧 When plugged and screwed down																					
	温度范围 Temperature range	-20...+130°C																					
	测试电压 (两插针之间) Test voltage	2500V																					
	外壳材料 Housing material	锌合金压铸件 黄铜, 镀镍 Zinc alloy die casting Brass, nickel plating																					
	绝缘内嵌体材料 Insulation embedded body material	PA66/PBT, UL 94/V0																					
	接触件 (插针) Contact element (male)	<p>Ø1mm</p>	<table border="1"> <thead> <tr> <th>类型 Type</th> <th>压线范围 Wire diameter</th> <th>订货号 Part No.</th> </tr> </thead> <tbody> <tr> <td rowspan="3">插针 Male Ø1mm</td> <td>0.03-0.34mm<sup>2</sup></td> <td>916101</td> </tr> <tr> <td>0.14-1.00mm<sup>2</sup></td> <td>916121</td> </tr> <tr> <td>0.50-1.50mm<sup>2</sup></td> <td>916131</td> </tr> <tr> <td>插针 Male Ø2mm</td> <td>0.50-1.50mm<sup>2</sup></td> <td>956121</td> </tr> </tbody> </table>			类型 Type	压线范围 Wire diameter	订货号 Part No.	插针 Male Ø1mm	0.03-0.34mm <sup>2</sup>	916101	0.14-1.00mm <sup>2</sup>	916121	0.50-1.50mm <sup>2</sup>	916131	插针 Male Ø2mm	0.50-1.50mm <sup>2</sup>	956121	<p>Ø2mm</p>				
类型 Type	压线范围 Wire diameter	订货号 Part No.																					
插针 Male Ø1mm	0.03-0.34mm <sup>2</sup>	916101																					
	0.14-1.00mm <sup>2</sup>	916121																					
	0.50-1.50mm <sup>2</sup>	916131																					
插针 Male Ø2mm	0.50-1.50mm <sup>2</sup>	956121																					
	订货号 Part No.																						
	可参考: 1.1.0 Reference: 1.1.0																						
	1 型号 Form																						
	备注 Notes	配件及技术参数页面 Accessories and technical page: 6.6.4																					

# M23 连接器 CONNECTOR

现场接线  
Field-wireable

M23 圆形连接器 Round plug connector (17,19)-pole  
插针 延长式连接器 Male Extended type connector



M23 信号连接器

<b>1</b>	<b>型号 Form</b>	<b>No.</b>	<b>923571</b>	<b>923572</b>	<b>923593</b>	<b>923594</b>															
	<b>极数</b> Suppression		17xØ1mm 17-pole	17xØ1mm 17-pole	16xØ1mm+3xØ1.5mm 19-pole	16xØ1mm+3xØ1.5mm 19-pole															
	<b>尺寸图 Description</b>																				
	<b>压线范围 Wire diameter</b>	7-14mm																			
	<b>针脚排序</b> Contact layout	 插针 Male 逆时针 counterclockwise	 插针 Male 顺时针 clockwise	 插针 Male 逆时针 counterclockwise	 插针 Male 顺时针 clockwise																
<b>2</b>	<b>技术参数 Technical data</b>																				
	额定电压 Supply voltage	160 V AC/DC			125 V AC/DC																
	额定电流 Current per contact	10A																			
	防护等级 Protection	IP67- 插孔插针配合拧紧 When plugged and screwed down																			
	温度范围 Temperature range	-20...+130°C																			
	测试电压 (两插针之间) Test voltage	2500V																			
	外壳材料 Housing material	锌合金压铸件 黄铜, 镀镍 Zinc alloy die casting Brass, nickel plating																			
	绝缘内嵌体材料 Insulation embedded body material	PA66/PBT, UL 94/V0																			
	<b>接触件 (插针)</b> Contact element (male)	 Ø1mm	<table border="1"> <thead> <tr> <th>类型 Type</th> <th>压线范围 Wire diameter</th> <th>订货号 Part No.</th> </tr> </thead> <tbody> <tr> <td rowspan="3">插针 Male Ø1mm</td> <td>0.03-0.34mm<sup>2</sup></td> <td>916101</td> </tr> <tr> <td>0.14-1.00mm<sup>2</sup></td> <td>916121</td> </tr> <tr> <td>0.50-1.50mm<sup>2</sup></td> <td>916131</td> </tr> <tr> <td rowspan="2">插针 Male Ø1.5mm</td> <td>0.24-1.00mm<sup>2</sup></td> <td>936101</td> </tr> <tr> <td>0.50-1.50mm<sup>2</sup></td> <td>936121</td> </tr> </tbody> </table>	类型 Type	压线范围 Wire diameter	订货号 Part No.	插针 Male Ø1mm	0.03-0.34mm <sup>2</sup>	916101	0.14-1.00mm <sup>2</sup>	916121	0.50-1.50mm <sup>2</sup>	916131	插针 Male Ø1.5mm	0.24-1.00mm <sup>2</sup>	936101	0.50-1.50mm <sup>2</sup>	936121			
类型 Type	压线范围 Wire diameter	订货号 Part No.																			
插针 Male Ø1mm	0.03-0.34mm <sup>2</sup>	916101																			
	0.14-1.00mm <sup>2</sup>	916121																			
	0.50-1.50mm <sup>2</sup>	916131																			
插针 Male Ø1.5mm	0.24-1.00mm <sup>2</sup>	936101																			
	0.50-1.50mm <sup>2</sup>	936121																			
	<b>订货号 Part No.</b>																				
	可参考: 1.1.0 Reference: 1.1.0																				
	<b>1</b>	<b>型号 Form</b>																			
	<b>备注 Notes</b>	配件及技术参数页面 Accessories and technical page: 6.6.4																			



# M23 连接器 CONNECTOR

现场接线  
Field-wireable

M23 圆形连接器 Round plug connector (17,19)-pole  
插针 中间固定式连接器 Male Fixed connector



M23 信号连接器

<b>1</b>	<b>型号 Form</b>	<b>No.</b>	<b>923781</b>	<b>923783</b>	<b>923923</b>	<b>923925</b>															
	<b>极数</b> Suppression		17xØ1mm 17-pole	17xØ1mm 17-pole	16xØ1mm+3xØ1.5mm 19-pole	16xØ1mm+3xØ1.5mm 19-pole															
	<b>尺寸图 Description</b>	<div style="display: flex; justify-content: space-around; align-items: center;"> <div style="text-align: center;"> <p>外型尺寸</p> </div> <div style="text-align: center;"> <p>开孔尺寸</p> </div> </div>																			
	<b>压线范围 Wire diameter</b>	7-14mm																			
	<b>针脚排序</b> Contact layout	<div style="display: flex; justify-content: space-around; align-items: center;"> <div style="text-align: center;"> <p>插针 Male</p> <p>逆时针 counterclockwise</p> </div> <div style="text-align: center;"> <p>插针 Male</p> <p>顺时针 clockwise</p> </div> <div style="text-align: center;"> <p>插针 Male</p> <p>逆时针 counterclockwise</p> </div> <div style="text-align: center;"> <p>插针 Male</p> <p>顺时针 clockwise</p> </div> </div>																			
<b>2</b>	<b>技术参数 Technical data</b>																				
	额定电压 Supply voltage	160 V AC/DC			125 V AC/DC																
	额定电流 Current per contact	10A																			
	防护等级 Protection	IP67- 插孔插针配合拧紧 When plugged and screwed down																			
	温度范围 Temperature range	-20...+130°C																			
	测试电压 (两插针之间) Test voltage	2500V																			
	外壳材料 Housing material	锌合金压铸件 黄铜, 镀镍 Zinc alloy die casting Brass, nickel plating																			
	绝缘内嵌体材料 Insulation embedded body material	PA66/PBT, UL 94/V0																			
	<b>接触件 (插针)</b> Contact element (male)	<table border="1" style="width: 100%;"> <thead> <tr> <th>类型 Type</th> <th>压线范围 Wire diameter</th> <th>订货号 Part No.</th> </tr> </thead> <tbody> <tr> <td rowspan="3">  Ø1mm 插针 Male Ø1mm                 </td> <td>0.03-0.34mm<sup>2</sup></td> <td>916101</td> </tr> <tr> <td>0.14-1.00mm<sup>2</sup></td> <td>916121</td> </tr> <tr> <td>0.50-1.50mm<sup>2</sup></td> <td>916131</td> </tr> <tr> <td rowspan="2">  Ø1.5mm 插针 Male Ø1.5mm                 </td> <td>0.24-1.00mm<sup>2</sup></td> <td>936101</td> </tr> <tr> <td>0.50-1.50mm<sup>2</sup></td> <td>936121</td> </tr> </tbody> </table>					类型 Type	压线范围 Wire diameter	订货号 Part No.	 Ø1mm 插针 Male Ø1mm	0.03-0.34mm <sup>2</sup>	916101	0.14-1.00mm <sup>2</sup>	916121	0.50-1.50mm <sup>2</sup>	916131	 Ø1.5mm 插针 Male Ø1.5mm	0.24-1.00mm <sup>2</sup>	936101	0.50-1.50mm <sup>2</sup>	936121
类型 Type	压线范围 Wire diameter	订货号 Part No.																			
 Ø1mm 插针 Male Ø1mm	0.03-0.34mm <sup>2</sup>	916101																			
	0.14-1.00mm <sup>2</sup>	916121																			
	0.50-1.50mm <sup>2</sup>	916131																			
 Ø1.5mm 插针 Male Ø1.5mm	0.24-1.00mm <sup>2</sup>	936101																			
	0.50-1.50mm <sup>2</sup>	936121																			
	<b>订货号 Part No.</b>																				
	可参考: 1.1.0 Reference: 1.1.0																				
	<b>1</b>	<b>型号 Form</b>																			
	<b>备注 Notes</b>	配件及技术参数页面 Accessories and technical page: 6.6.4																			