
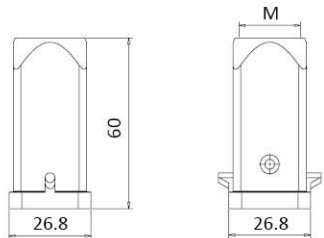

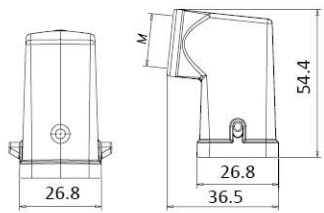

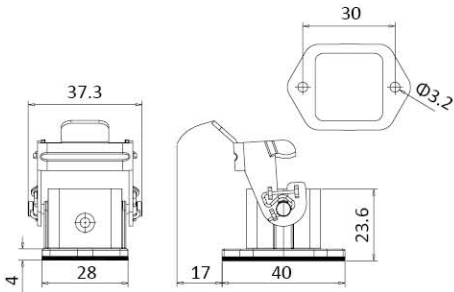

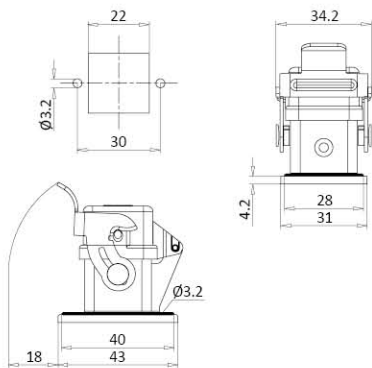

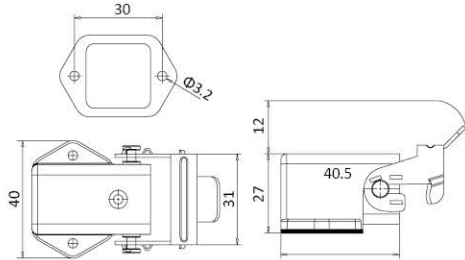


# H3A 金属防护外壳 HOODS / HOUSINGS SERIES

外壳包含金属外壳和塑料外壳 Include metal and plastic shells

锁扣有金属锁扣、塑料锁扣、不锈钢锁扣可选 Levers include metal, plastic and stainless steel

金属外壳 Metal hoods/housings	型号 Type	订货号 Part No.	M 制 Metr.	比例图 Drawing	尺寸: 单位 Dimensions in mm
上壳 顶部进线 Top entry 	H3A-MTG-M20	2200031440	20		
上壳 侧面进线 Side entry 	H3A-MTS-M20	2200031640	20		
下壳 开孔安装 Bulkhead mounting: Bottom entry 	H3A-MAG	2200030301			
下壳 开孔安装 (带盖) Bulkhead mounting: Bottom entry 	H3A-MAD	2200030306			
下壳 开孔安装 (侧出形式) Bulkhead mounting: Bottom entry 	H3A-MAGS	2200030810			


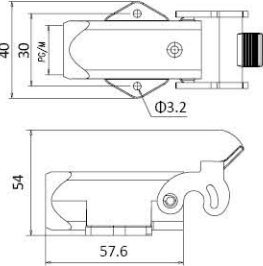

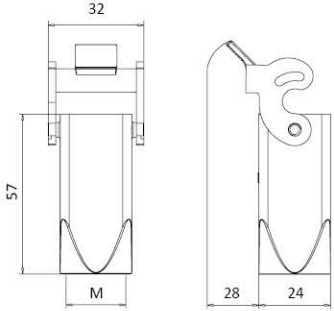

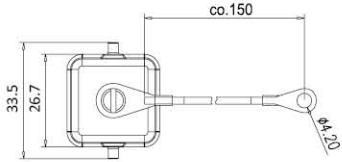
备注 Notes: 开孔尺寸图请参照 7.12.2 页

# H3A 金属防护外壳 HOODS / HOUSINGS SERIES



外壳包含金属外壳和塑料外壳 Include metal and plastic shells

锁扣有金属锁扣、塑料锁扣、不锈钢锁扣可选 Levers include metal, plastic and stainless steel

金属外壳 Metal hoods/housings	型号 Type	订货号 Part No.	M 制 Metr.	比例图 Drawing	尺寸: 单位 Dimensions in mm
下壳 表面安装 Surface mounting 	H3A-MAGSV-M20	2200031252	20		
下壳 电缆对接 Cable to cable hood 	H3A-MTGVB-M20	2200031750	20		
金属底座保护盖 Protection covers for metal housings  <p>备注: 适配母插 + 下壳 Note: for female+housings</p>	H3A-KDBM	2200035425			

备注 Notes: 开孔尺寸图请参照 7.12.2 页

# H3A 塑料防护外壳 HOODS / HOUSINGS SERIES

外壳包含金属外壳和塑料外壳 Include metal and plastic shells

锁扣有金属锁扣、塑料锁扣、不锈钢锁扣可选 Levers include metal, plastic and stainless steel

塑料外壳 Thermoplastic hoods/housings	型号 Type	订货号 Part No.	M 制 Metr.	比例图 Drawing	尺寸：单位 Dimensions in mm
上壳 顶部进线 Top entry	H3A-TG-M20	2200030420	20		
上壳 侧面进线 Side entry	H3A-TS-M20	2200030620	20		
下壳 开孔安装 Bulkhead mounting: Bottom entry	H3A-AG	2200030320			安装开口 Panel cut out 22 × 22mm
下壳 开孔安装 (侧出形式) Bulkhead mounting: Bottom entry	H3A-AGS	2200030820			
下壳 表面安装 (侧出形式) Surface mounting: Side entry	H3A-AGSV-M20	2200030220	20		


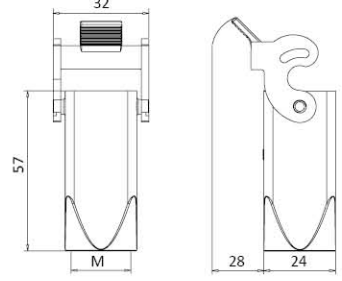

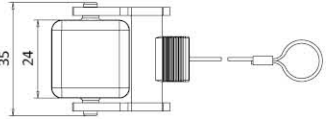

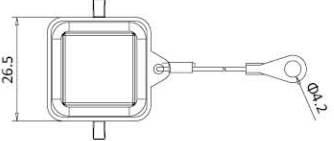
备注 Notes: 开孔尺寸图请参照 7.12.2 页

# H3A 塑料防护外壳 HOODS / HOUSINGS SERIES



外壳包含金属外壳和塑料外壳 Include metal and plastic shells

锁扣有金属锁扣、塑料锁扣、不锈钢锁扣可选 Levers include metal, plastic and stainless steel

塑料外壳 Thermoplastic hoods/housings	型号 Type	订货号 Part No.	M 制 Metr.	比例图 Drawing	尺寸: 单位 Dimensions in mm
<p>下壳 电缆对接 Cable to cable hood</p> 	H3A-TGVB-M20	2200030720	20		
<p>上壳保护盖 Protection covers for hoods</p> 	H3A-KDT	2200035422			
<p>底座保护盖 Protection covers for housings</p>  <p>备注: 适配母插 + 下壳 Note: for female+housings</p>	H3A-KDB	2200035446			

备注 Notes: 开孔尺寸图请参照 7.12.2 页

