
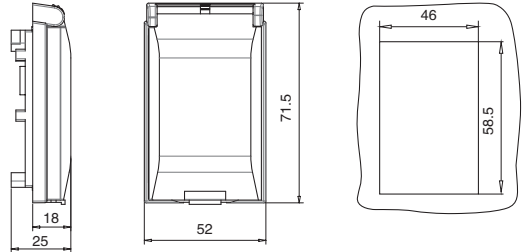

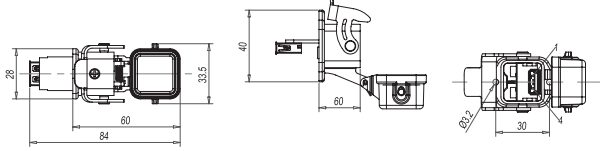

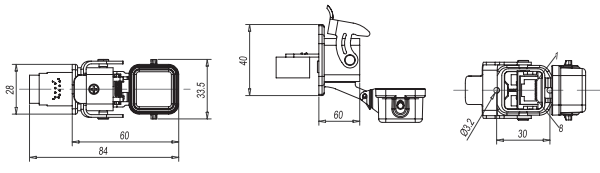

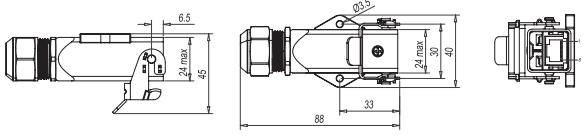

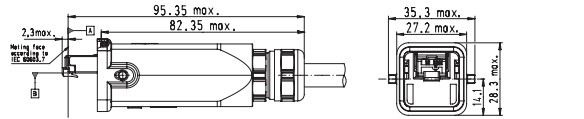
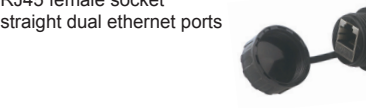
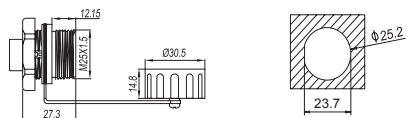
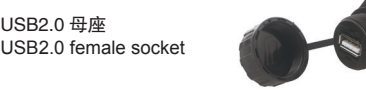


RJ45 连接器 CONNECTOR

名称 Identification	订货号 Part No.	外型尺寸 Dimensions (mm)
电源面板接口 Panel interface 	9200000 9045115	
信号面板接口 USB/RJ45/D-SUB9 	9 45 215 1101	
RJ45 面板底座 (扣手式) Panel feed through 	9 45 215 1103	
RJ45 面板底座 (扣手式) Panel feed through 	9 45 215 1108	
RJ45 male 插头 (扣手式) 	9 45 115 1100	
RJ45 直通式双网口插 RJ45 female socket straight dual ethernet ports 	999091	
USB2.0 母座 USB2.0 female socket 	999101	