
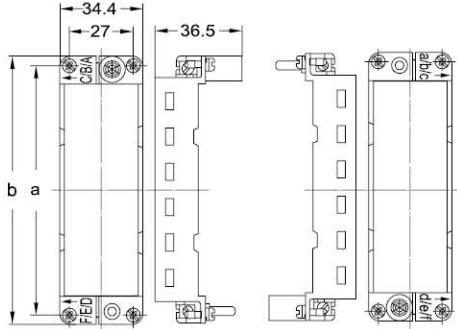




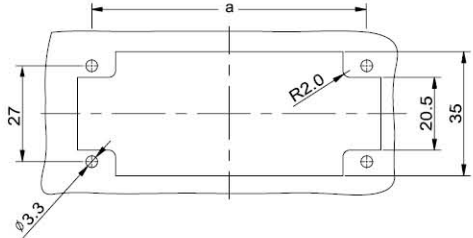

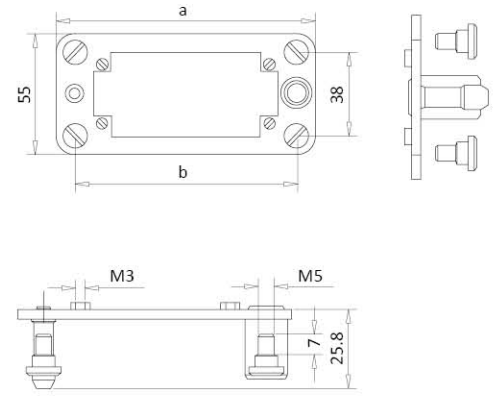
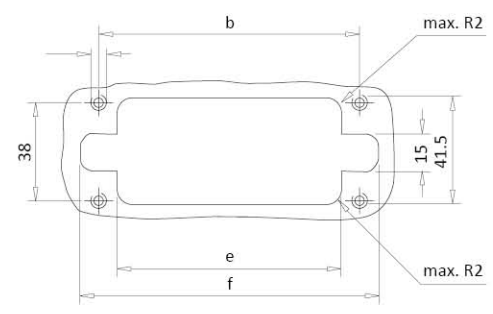


HM 模块框架 MODULAR FIXING FRAME

对接架 Docking frame	参数 Parameter	型号 Type	订货号 Part No.	比例图 Drawing	尺寸：单位 Dimensions in mm																																				
	H10A 框架, 可安装 1 个准模块 H10A frame for 1 modules	H10A-T1	5140100323	 <table border="1"> <thead> <tr> <th>对应外壳 Hood/Housing</th> <th>安装模块数 No. of modules</th> <th>a</th> <th>b</th> <th>c</th> <th>d</th> </tr> </thead> <tbody> <tr> <td>H10A</td> <td>1</td> <td>49.5</td> <td>56.5</td> <td>24</td> <td>57.5</td> </tr> <tr> <td>H6B</td> <td>2</td> <td>44</td> <td>51</td> <td>35</td> <td>52</td> </tr> <tr> <td>H10B</td> <td>3</td> <td>57</td> <td>64.1</td> <td>49</td> <td>66</td> </tr> <tr> <td>H16B</td> <td>4</td> <td>77.5</td> <td>84.5</td> <td>64</td> <td>85.5</td> </tr> <tr> <td>H24B</td> <td>6</td> <td>104</td> <td>111</td> <td>94</td> <td>112</td> </tr> </tbody> </table>	对应外壳 Hood/Housing	安装模块数 No. of modules	a	b	c	d	H10A	1	49.5	56.5	24	57.5	H6B	2	44	51	35	52	H10B	3	57	64.1	49	66	H16B	4	77.5	84.5	64	85.5	H24B	6	104	111	94	112	
对应外壳 Hood/Housing	安装模块数 No. of modules	a	b		c	d																																			
H10A	1	49.5	56.5		24	57.5																																			
H6B	2	44	51		35	52																																			
H10B	3	57	64.1		49	66																																			
H16B	4	77.5	84.5		64	85.5																																			
H24B	6	104	111	94	112																																				
	H6B 框架, 可安装 2 个准模块 H6B frame for 2 modules	H6B-T2-M H6B-T2-F	5140060303 5140060313																																						
	H10B 框架, 可安装 3 个准模块 H10B frame for 3 modules	H10B-T3-M H10B-T3-F	5140100303 5140100313																																						
	H16B 框架, 可安装 4 个准模块 H16B frame for 4 modules	H16B-T4-M H16B-T4-F	5140160303 5140160313																																						
	H24B 框架, 可安装 6 个准模块 H24B frame for 6 modules	H24B-T6-M H24B-T6-F	5140240303 5140240313																																						
				 框架之间最大安装距离 Distance for electricla contacts max.21mm 对气动接插件最大安装距离 For pneumaticcontacts max.20.5mm 每套框架由一个上架和一个下架所组成 Eash frame is composed of an upper and a lower bracket																																					

HM 框架 MODULAR

HM 模块系列

名称 Identification	规格 Size	订货号 Part No.	比例图 Drawing	尺寸: 单位 Dimensions in mm																									
对接架 Docking frame																													
 <p>供货范围 Range of delivery :</p> <p>1 个架子 Frame</p> <p>4 个带肩平头螺栓用于固定对接架</p> <p>4 Cheese head shoulder screws to fix the docking frame</p>	H6B	5140060000																											
	H10B	5140100000																											
	H16B	5140160000																											
	H24B	5140240000																											
			<table border="1"> <thead> <tr> <th>规格 Size</th> <th>a</th> <th>b</th> <th>e</th> <th>f</th> </tr> </thead> <tbody> <tr> <td>H6B</td> <td>86</td> <td>69</td> <td>54.5</td> <td>84</td> </tr> <tr> <td>H10B</td> <td>99</td> <td>82</td> <td>67.5</td> <td>97</td> </tr> <tr> <td>H16B</td> <td>119.5</td> <td>102.5</td> <td>88</td> <td>117.5</td> </tr> <tr> <td>H24B</td> <td>146</td> <td>129</td> <td>114.5</td> <td>144</td> </tr> </tbody> </table> <p>电气针和光纤针最大间距为 27 毫米, 气动针最大距离为 26.5 毫米 Distance for electrical and F.O. contacts max. 27 mm ; for pneumatic contacts max. 26.5 mm</p>	规格 Size	a	b	e	f	H6B	86	69	54.5	84	H10B	99	82	67.5	97	H16B	119.5	102.5	88	117.5	H24B	146	129	114.5	144	
规格 Size	a	b	e	f																									
H6B	86	69	54.5	84																									
H10B	99	82	67.5	97																									
H16B	119.5	102.5	88	117.5																									
H24B	146	129	114.5	144																									

